

7100 Series

All 316L stainless steel construction makes this meter suitable for low flow - high pressure application.

Description

Metering Tube
316L Stainless Steel

Internal Components
316L Stainless Steel
Hastelloy®C-276

Inlet/Outlet Fittings
1/4" FNPT, Horizontal
Control valve optional

Fitting Material
316L Stainless Steel

Connection Type
1/4" FNPT

Elastomers
(valve meters only)
Standard: Viton
Optional: Buna N, EPR, and Kalrez®

Case and Side Cover
Die Cast Aluminum

Options

Alarm
Single, Inductive Slot Sensor

Certified Calibrations
Conform to ISA RP 16.6

Scales
Can be produced in any volumetric unit

Rear Mounting Bracket
304 Stainless Steel



Stainless Steel Tube

Performance

Capacities
.16 to 25 GPH - Water
.6 to 95 LPH - Water

1 to 120 SCFH - Air
28.3 to 3400 SLPH - Air

Scale
60 mm (2") Direct reading

Accuracy
± 5% of Full Scale Flow

Turndown
10:1 to 12.5:1 unless otherwise indicated

Repeatability
1 %

Max Temperature

O-ring Material	Max Temperature
EPR	300° F (149° C)
Buna N	275° F (135° C)
Viton®	400° F (204° C)
Kalrez®	400° F (204° C)
No O-ring	400° F (204° C)

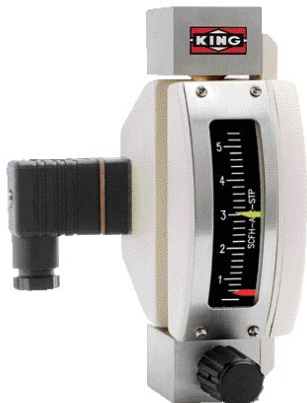
Max Pressure

Valve models - 1500 psig
Non-valve models - 4000 psig

Ambient Temperature

33° F to 125° F (1° C to 52° C)

Viton® and Kalrez® are registered trademarks of DuPont Dow Elastomers



Alarm Options:

The alarm mechanism in this flowmeter is an inductive slot sensor. It is a 2-wire, DC, low current device. It is designed to be used with a switch isolator/barrier. Intrinsically safe alarm components are also available.

Note:

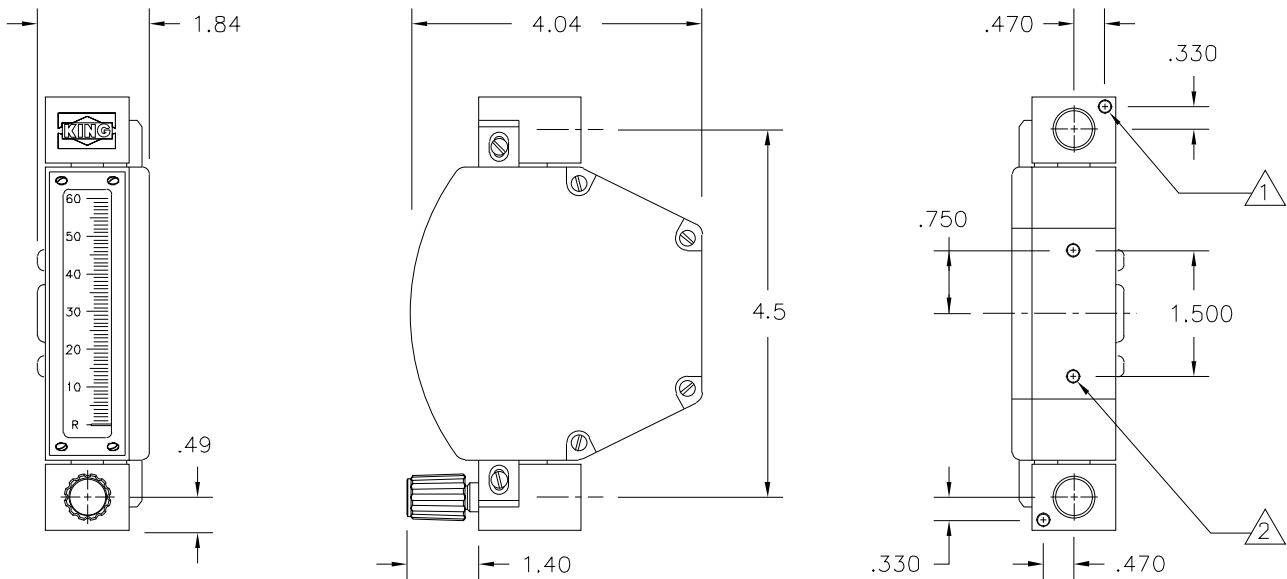
We can supply switch isolator/barriers upon request. User power supply voltage must be provided

Specifications:

Order Number	Full Scale Flow Water GPH	Order Number	Full Scale Flow Water LPH
00W1	.16	00W2	.6
02W1	.6	02W2	2.4
04W1	1.2	04W2	4.5
06W1	2.8	06W2	10.5
08W1	5.5	08W2	20
10W1	12	10W2	45
12W1	25	12W2	95

Order Number	Full Scale Flow Air SCFH	Order Number	Full Scale Flow Air SLPH
00A1	1	00A2	28.3
01A1	2.5	01A2	70
03A1	5.5	03A2	155
05A1	13	05A2	360
07A1	24	07A2	680
09A1	55	09A2	1550
11A1	120	11A2	3400

Dimensions (Inches)



▲ 10 - 32 THREADED PANEL MOUNTING HOLES - 2 PLACES

▲ 2 10 - 32 THREADED HOLE FOR INSTALLING THE OPTIONAL BACK MOUNTING BRACKET - 2 PLACES

Ordering:

Use the following guide to determine the specific product number you require.

* The No O-ring option is for non-valve meters only



Meter Series	Material of Construction	O-ring Material	Scale Type	Valve Options	Optional Alarm	Order Number
	316L SS - 1	No O-ring - 0	Millimeter - 1	Valve on Inlet 316L SS - 1	No Alarm - 0	See Specification
	Hastelloy® C-276 - 2	EPR - 1	GPH - Water - 2	Valve on Outlet 316L SS - 2	With Alarm - A	Table Above
		Buna-N - 2	LPH - Water - 3	No Valve - 3		
		Viton - 3	SCFH - Air - STP - 4	Valve on Inlet Hastelloy®C-276 - 4		
		Kalrez - 4	SLPH - Air - STP - 5	Valve on Outlet Hastelloy®C-276 - 5		
			Non-Standard - 6			

Example: 710-1-3-2-1-A-10W1