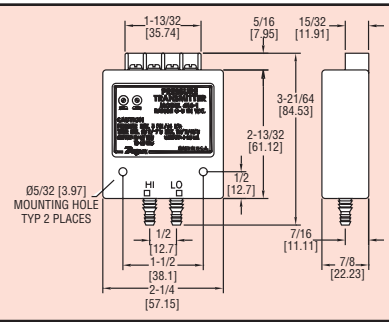
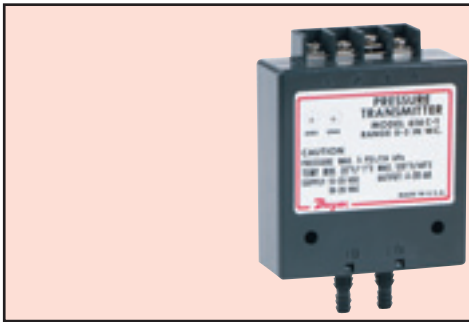




Series 616C

Differential Pressure Transmitter

Ranges from 0-3 in. w.c. to 0-100 psid, Accuracy $\pm 1\%$ Full Span Output



Series 616C Transmitters feature exceptional $\pm 1.0\%$ accuracy in several factory calibrated ranges. Choose the one just right for your application. Span and Zero controls included for fine tuning and minor re-calibration in the field.

STOCKED MODELS

Model No.	Range	Max. Press.	Model No.	Range	Max. Press.
616C-1	0-3 in. w.c.	5 psig	616C-8	0-10 psid	58 psig
616C-2	0-6 in. w.c.	5 psig	616C-9	0-20 psid	58 psig
616C-3	0-10 in. w.c.	5 psig	616C-10	0-30 psid	58 psig
616C-4	0-20 in. w.c.	11 psig	616C-11	0-50 psid	150 psig
616C-5	0-40 in. w.c.	11 psig	616C-12	0-100 psid	150 psig
616C-6	0-100 in. w.c.	29 psig	616C-3B	1.5-0-1.5 in. w.c.	5 psig
616C-7	0-200 in. w.c.	29 psig	616C-6B	3-0-3 in. w.c.	5 psig
			616C-10B	5-0-5 in. w.c.	5 psig
			616C-20B	10-0-10 in. w.c.	11 psig

SPECIFICATIONS

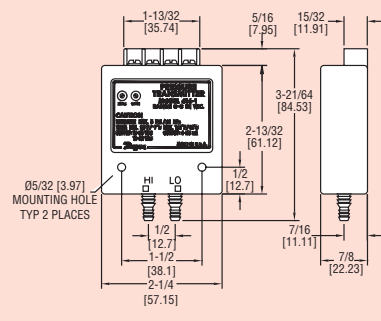
- Service:** Air and non-combustible, compatible gases.
- Wetted Materials:** Consult factory.
- Accuracy:** $\pm 1.0\%$ F.S.
- Stability:** $\pm 1\%$ F.S./yr.
- Temperature Limits:** 0 to 140°F (-17.8 to 60°C).
- Compensated Temperature Limits:** 20 to 120°F (-6.67 to 48.9°C).
- Pressure Limits:** See Chart.
- Thermal Effect:** $\pm 0.02\%$ F.S./°F ($\pm 0.0012\%$ F.S./°C).
- Power Requirements:** 10-35 VDC (2-wire).
- Output Signal:** 4 to 20 mA.
- Zero Adjustments:** External potentiometers.
- Loop Resistance:** 0-1250 ohms from 10-35 VDC.
- Current Consumption:** 38 mA DC maximum.
- Electrical Connections:** Screw terminals.
- Process Connections:** Barbed, dual size to fit 1/8" and 3/16" (3.12 mm and 4.76 mm) I.D. rubber or vinyl tubing.
- Weight:** 1.8 oz (51 g).



Series 616

Differential Pressure Transmitter

Ranges from 0-1 in. w.c. to 0-100 psid, Accuracy $\pm 0.25\%$ Full Span Output



Series 616 Transmitters feature exceptional $\pm 0.25\%$ accuracy in several factory calibrated ranges. Choose the one just right for your application. Span and Zero controls included for fine tuning and minor re-calibration in the field.

STOCKED MODELS in bold

Model No.	Range	Max. Press.	Model No.	Range	Max. Press.
616-00	0-1 in. w.c.	10 in. w.c.	616-8	0-10 psid	58 psig
616-0	0-2 in. w.c.	10 in. w.c.	616-9	0-20 psid	58 psig
616-1	0-3 in. w.c.	5 psig	616-10	0-30 psid	58 psig
616-2	0-6 in. w.c.	5 psig	616-11	0-50 psid	150 psig
616-3	0-10 in. w.c.	5 psig	616-12	0-100 psid	150 psig
616-4	0-20 in. w.c.	11 psig	616-3B	1.5-0-1.5 in. w.c.	5 psig
616-5	0-40 in. w.c.	11 psig	616-6B	3-0-3 in. w.c.	5 psig
616-6	0-100 in. w.c.	29 psig	616-10B	5-0-5 in. w.c.	5 psig
616-7	0-200 in. w.c.	29 psig	616-20B	10-0-10 in. w.c.	11 psig

SPECIFICATIONS

- Service:** Air and non-combustible, compatible gases.
- Wetted Materials:** Consult factory.
- Accuracy:** $\pm 0.25\%$ F.S.
- Stability:** $\pm 1\%$ F.S./yr.
- Temperature Limits:** 0 to 140°F (-17.8 to 60°C).
- Compensated Temperature Limits:** 20 to 120°F (-6.67 to 48.9°C).
- Pressure Limits:** See Chart.
- Thermal Effect:** $\pm 0.02\%$ F.S./°F ($\pm 0.0012\%$ F.S./°C).
- Power Requirements:** 10-35 VDC (2-wire).
- Output Signal:** 4 to 20 mA.
- Zero and Span Adjustments:** Potentiometers for zero and span.
- Loop Resistance:** DC; 0-1250 ohms maximum.
- Current Consumption:** DC; 38 mA maximum.
- Electrical Connections:** Screw-type terminal block.
- Process Connections:** Barbed, dual size to fit 1/8" and 3/16" (3.12 mm and 4.76 mm) I.D. rubber or vinyl tubing.
- Mounting Orientation:** Vertical, consult factory for other position orientations.
- Weight:** 1.8 oz (51 g).
- Agency Approvals:** CE.