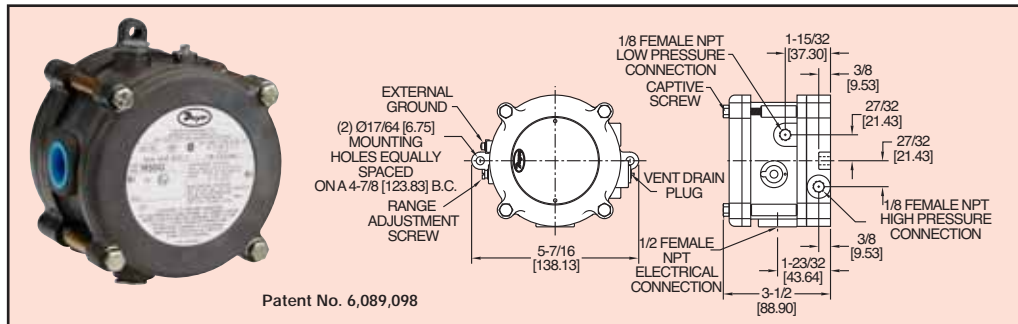




Series  
1950G

# Explosion-proof Differential Pressure Switch

Explosion-proof, Weatherproof, Compatible with Natural Gases



## SPECIFICATIONS

**Service:** Air and compatible combustible gases.  
**Wetted Materials:** Contact Factory.  
**Temperature Limits:** 0 to 140°F (-17 to 60°C).  
 Note: Set point drift may occur with ambient temperature changes.  
**Pressure Limits:** 45" w.c. (11.2 kPa) continuous; 10 psig (68.95 kPa) surge.  
**Enclosure Rating:** NEMA 3 (IP54), NEMA 7 & 9.  
**Switch Type:** 1 Form C relay (SPDT).  
**Electrical Rating:** 10A, 120/240 VAC, 28 VDC. Resistive 50mA, 125 VDC.  
**Power Requirements:** 24 VDC ±10%. 120 or 240 VAC ±10% optional.  
**Electrical Connections:** Internal terminal block.  
**Process Connections:** 1/8" female NPT.  
**Mounting Orientation:** Diaphragm in vertical position. Consult factory for other position orientations.  
**Set Point Adjustment:** Screw type on top of housing.  
**Weight:** 2 lb, 15.7 oz (1.35 kg).  
**Agency Approvals:** CE, UL, CSA, FM, ATEX.

The Model 1950G Explosion-Proof Switch combines the best features of the popular Dwyer® Series 1950 Pressure Switch with the benefit of natural gas compatibility. Units are rain-tight for outdoor installations, and are UL listed for use in Class I, Groups A, B, C, & D; Class II, Groups E, F, & G and Class III atmospheres, Directive 94/9/EC (ATEX) Compliant for **CE** **Ex** 11 2 G EExd IIB & Hydrogen T6 and CSA & FM approved for Class I, Div 1, Groups B, C, D; Class II, Div 1, Groups E, F, G and Class III atmospheres. The 1950G is very compact, about half the weight and bulk of equivalent conventional explosion-proof switches.

Easy access to the SPDT relay and power supply terminals is provided by removing the top plate of the aluminum housing. A supply voltage of 24 VDC, 120 or 240 VAC is required. A captive screw allows the cover to swing aside while remaining attached to the unit. Adjustment to the set point of the switch can be made without disassembly of the housing.

| Model Number <sup>1</sup> | Range, Inches W.C. | Approximate Dead Band at |                |
|---------------------------|--------------------|--------------------------|----------------|
|                           |                    | Min. Set Point           | Max. Set Point |
| 1950G-00-B-24-NA          | .07 to .15         | .04                      | .06            |
| 1950G-0-B-24-NA           | .15 to .50         | .06                      | .11            |
| 1950G-1-B-24-NA           | .4 to 1.6          | .11                      | .29            |
| 1950G-5-B-24-NA           | 1.4 to 5.5         | .4                       | .9             |
| 1950G-10-B-24-NA          | 3 to 11            | .9                       | 1.8            |
| 1950G-20-B-24-NA          | 4 to 20            | 1.2                      | 3.0            |

<sup>1</sup>Note: For alternate supply voltages change 24 to 120 or 240. Example: 1950G-00-B-120. For ATEX approved models remove "-NA".