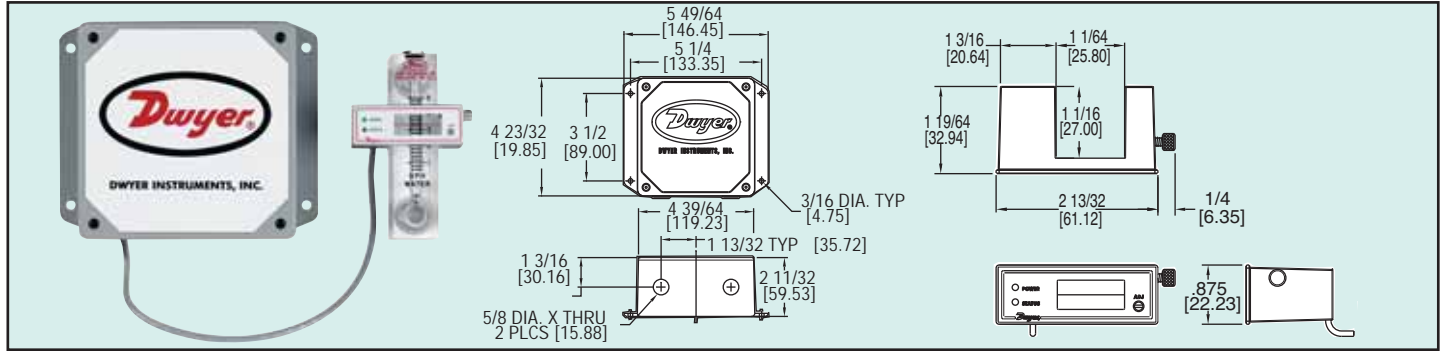




Series
VASP

Visi-Float® Flowmeter Flowswitch/Power Converter Pak

Designed for Use with the Dwyer® VFA Visi-Float® Flowmeter



The new VASP Visi-Float® Flowmeter Flowswitch/Power Converter Pak utilizes infrared technology as an adjustable set point monitor used in conjunction with the Dwyer® VFA Flowmeters. The VASP consists of a sensing unit and a power converter unit allowing remote mounting over long distances. Designed to mount onto any existing VFA Flowmeter, the switching setpoint can be easily adjusted by a single adjustment screw. It contains a set of SPDT relay contacts for indication of flow above or below a preset level. The units incorporate indicating LED's for power and status. Also, a latching and power failure circuit is also included for more versatility.

Model No.	Output Range
VASP-1	.5A @ 120/240 VAC, 1A @ 30 VDC
VASP-5	5 A @ 120/240 VAC, 5 A @ 30 VDC
VASP-10	10 A @ 120/240 VAC, 5 A @ 30 VDC

SPECIFICATIONS

Temperature Limit: 0 to 140°F (-18 to 60°C).

Switch Type: SPDT relay.

Electrical Rating: See chart.

Electrical Connections: Screw type terminal block.

Power Requirements: User selectable: 24 VDC or 24/120/240 VAC @ 50/60 Hz.

Current Consumption: 105 mA max. (DC), 230 mA max. (AC).

Mounting Orientation: Vertical or horizontal.

Set Point Adjustment: Single adjustment screw.

Weight: 20 oz (.57 kg).